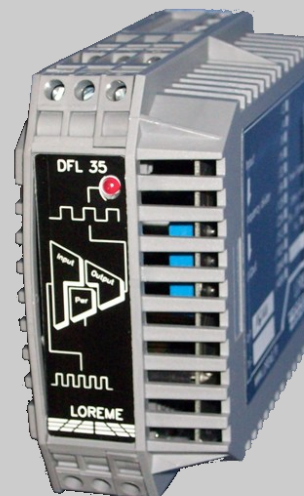


- **Voltage or dry contact input**
- **Selectable division factor**
from 2 up to 4096
- **Isolated, potential-free output contact**
250Hz max output frequency
- **Galvanic isolation**
- **Application**
frequency adaptation, flow, speed,
pulse distribution, signal shaping,
signal level adaptation,...
- **AC or DC power supply. 5Vdc to 400Vac**



The frequency divider DFL35 decreases the frequency of a signal provided by counter, flow meter, or other pulse generator, and thus enable theirs acquisition by slower system.

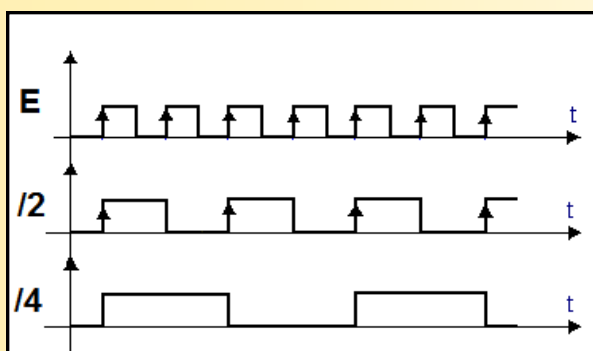
DESCRIPTION:

Frequency divider (without pulse loss) made for pulse weight adaptation between pulse generator (flow meter, energy meter, ...) and totaliser counters. Division factor selectable by DIP switch (12 possibility) :
/2 - /4 - /8 - /16 - /32 - /64
/128 - /256 - /512 - /1024 - /2048 - /4096.
Special version with other divider factor on request.
Input max frequency: 100 kHz
Output max frequency: 250Hz

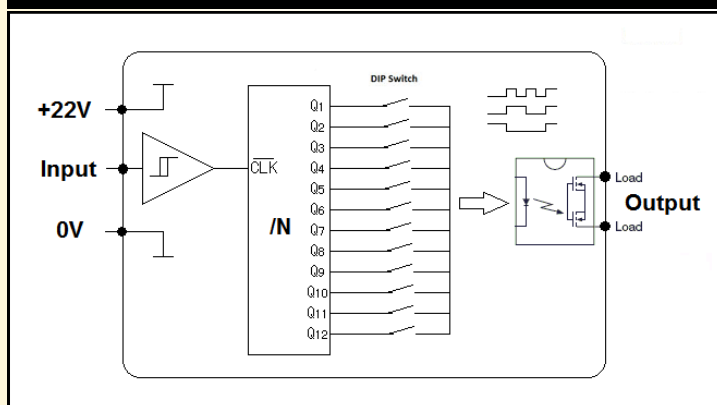
FEATURE:

- LED indicator for output contact state (LED on = contact closed) (blinking at the output frequency)
- conformal coating,
- protection rating IP20
- input circuit protected,
- galvanic isolation input / output,
- symmetrical or asymmetrical DIN rail mounting,
- connection on screw terminal blocks (2.5 mm² wire section)

Output signal : (example with division factor of 2 and 4)



Synoptic



Version and order code:

[Request a quote](#)

- **DFL35 :** Selectable division factor (2 to 4096)
(input: 24V typical, switching threshold: 10V)
- **DFL35/3 :** Division factor fixed to 3
(input: 24 V typical, switching threshold: 10V)
- **Option -LV :** Low voltage version with 5V sensor power supply
(input: 5V typical, switching threshold: 2V)

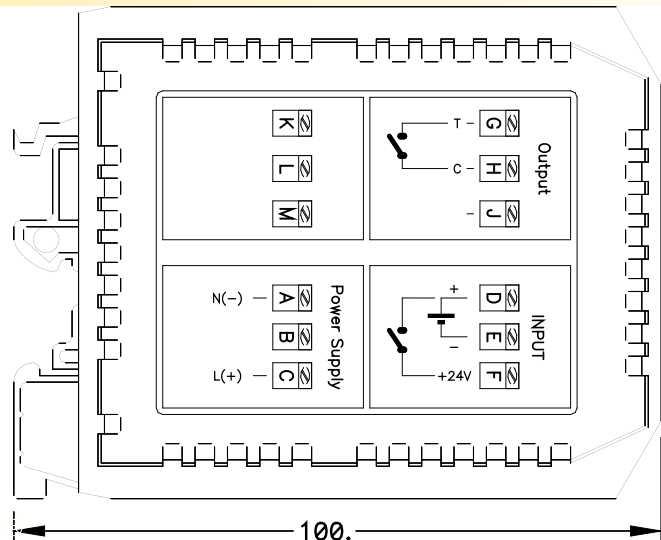
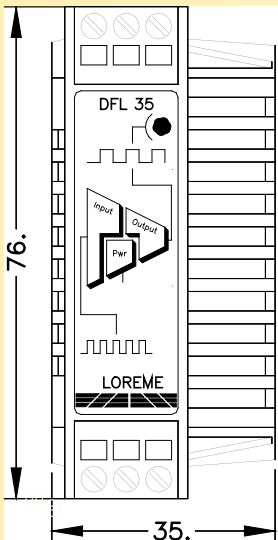
INPUT	
TYPE	RANGE
Voltage	0V / 24V nominal
Switching threshold	0V / 5V for "LV" option
Impedance	10V
Contact	2V for "LV" option
	> 50Kohms
	dry contact
	Internal 20Vdc bias voltage
AUXILIARY	
Supply for input contacts	20Vdc (filtering)
OUTPUT, CONTACT	
Type	static relay
Isolated Closed Contact	1500 Vac
Breaking voltage max	250 VCA, 300 VCC
Max current	200 mA
Breaking capacity	30 VA
Close time	< 1mS
Open time	< 1mS
Minimum output frequency	0Hz
Maximum output frequency	250Hz

POWER SUPPLY	
(define at order)	
230 Vac 50-60 Hz +/- 10 %, 2.3 VA	
20 to 70 Vac-dc, 2 VA	
80 to 265 Vac-dc, 2 VA	
5 - 18Vdc or 9 - 30Vdc, 2 W	
Reverse polarity protected	
ENVIRONMENT	
Operating temperature	-10 °C to 60 °C
Storage temperature	-20 °C to +85 °C
humidity	85 % (not condensing)
Dielectric strength (input/supply/output)	1500 Vrms continuous
Protection rating	IP20
Weight	210 g

Electromagnetic compatibility 2014/30/UE / Low Voltage Directive 2014/35/UE			
Immunity standard for industrial environments		Emission standard for industrial environments	
EN 61000-6-2		EN 61000-6-4	
EN 61000-4-2 ESD	EN 61000-4-8 AC MF	EN 55011	
EN 61000-4-3 RF	EN 61000-4-9 pulse MF	group 1 class A	
EN 61000-4-4 EFT	EN 61000-4-11 AC dips		
EN 61000-4-5 CWG	EN 61000-4-12 ring wave		
EN 61000-4-6 RF	EN 61000-4-29 DC dips		



WIRING AND OUTLINE DIMENSIONS:



Divide factor selected with internal DIP switch. (remove the right cover to access the DIP switch.)

Be sure that the device is not powered before any operations. Be sure to insert the card correctly when handing it over in place

