

Threshold relay for direct or alternative current over current protection

DSL35LCC

LOREME

- **DC or DC+AC current monitoring**
DC or TRMS measurement

DSL35LCC

Terminal blocks version, embedded sensor
Range : +/- 1A to +/-125Adc

- **1 relay output, changeover contact**
Configurable alarm via front face
Threshold, delays, hysteresis
- **1000 pts Led display for measure**
- **Application**
Solar, battery,
Dc current motor monitoring



Threshold relay for DC or AC currents designed for monitoring and protection applications.

Description:

The DSL35LCC is mainly designed to monitor continuous current. With the **TRMS** option, the device can be used with complex currents AC+DC

DSL35LCC: (version with terminals block)

- Current input on screw terminal blocks:
25mm² up to 50A 35mm² up to 125A
Maximum current input range +/- 125Adc embedded hall effect sensor

Front face:

- Measure display : 7 segments, 3 digits (1100 pts)
green LED, 10 mm height
- Over range detection (display: Hi)
- Green LED indication for alarm status
- 2 push buttons behind the hinged front panel, allowing device configuration (sensor type, threshold, ...)

Relay:

- Output free potential changeover contact
- Threshold, direction, hysteresis, activation and deactivation delays (adjustable via the push buttons in front face).

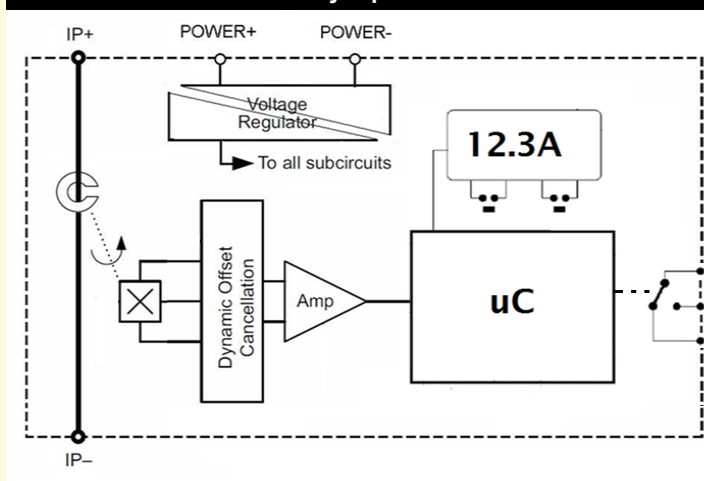
Environment:

- Long-term stability greater than 0.1 % / year.

Feature:

- symmetrical DIN rail mounting according to EN50022
- Connection by screw terminals blocks, 2.5 mm² (power supply, relay)
- 3 ways isolation: power / input / relay
- IP20 protection rating + conformal coating for electronic

Synoptic:



Version and order code:

[Request a quote](#)

DSL35LCC : Current measure input on terminal blocks
up to +/- 125 Adc max (1 threshold, 1 relay)

Option: - Trms : True rms measurement Ac+Dc

INPUT

TYPE	RANGE
Current with terminal block	+/- 1Adc....+/- 125Adc
Input impedance (terminal block)	~ 200 micro-ohms
programmable response time	3 ms to 60s for DC
Admissible over-current (terminal block)	6 x I _N for 5 sec.
Admissible over-current (remote sensor)	100 x I _N . I _N : rated current

RELAY

Programmable response time:	50 ms to 999 sec
Tripping repeatability:	± 0.2 %
free potential changeover contact	
Switching voltage max:	220 Vdc, 250Vac
Switching current max:	2A
Switching capacity max:	60W, 62.5VA
Minimum switching voltage:	100µV
Initial contact resistance:	<50mΩ @ 10mA/20mV
Impulse withstand voltage (1.2 / 50µs):	
- between coil and contact:	2500V
- between open contact:	1500V
Minimum lifetime on resistive load:	10 ⁵ opérations

POWER SUPPLY

Wide range not polarized. 3 versions available:
 20.....85Vac/dc
 85.....265Vac/dc
 11Vdc... to... 30Vdc.
 consumption < 2 VA

ENVIRONMENT

Operating temperature:	-25 to 65 °C
Storage temperature:	-40 to +85 °C
drift (% of full scale)	< 0.02 % / °C
Humidity:	85 % not condensed

protection rating (according to EN60529) IP 20

weight: 150 g.

Dielectric strength (Supply / Input / Relay) 2500 Vac

MTBF (MIL HDBK 217F) > 1 500 000 Hrs @ 25°C
 Life time > 200 000 Hrs @ 30°C

Electromagnetic compatibility 2014/30/UE / Low Voltage Directive 2014/35/UE

Immunity standard for industrial environments EN 61000-6-2		Emission standard for industrial environments EN 61000-6-4
EN 61000-4-2 ESD	EN 61000-4-8 AC MF	EN 55011 group 1 class A
EN 61000-4-3 RF	EN 61000-4-9 pulse MF	
EN 61000-4-4 EFT	EN 61000-4-11 AC dips	
EN 61000-4-5 CWG	EN 61000-4-12 ring wave	
EN 61000-4-6 RF	EN 61000-4-29 DC dips	



WIRING AND OUTLINE DIMENSIONS:

