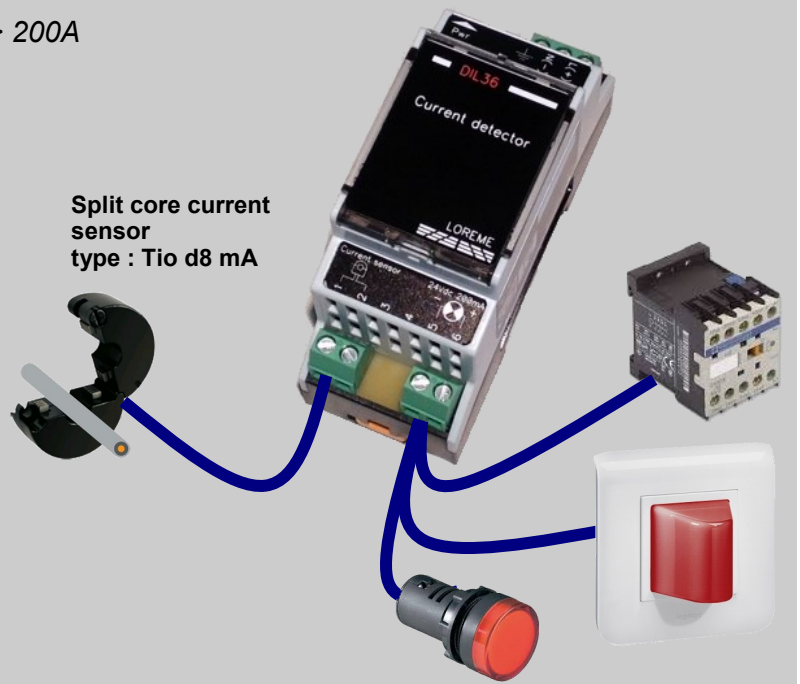


- **Non intrusive current detection**
0.1A threshold detection, input current > 200A
- **Remote split core current sensor**
- **24Vdc, 200mA output**
can power a lamp indicator or a contactor
- **DIN rail mounting**
- **Application**
non intrusive detection of starting up of machine or installation
Radiology equipment
- **Universal power supply**
20....265Vac-dc



The DIL36 is a relay with fixed threshold for alternating current. It allows to economically solve the detection of starting up or stopping of equipment. The split-core current sensor can be implemented in an existing installation without modification. It's output can drive an lamp indicator, a relay or a contactor.

Description :

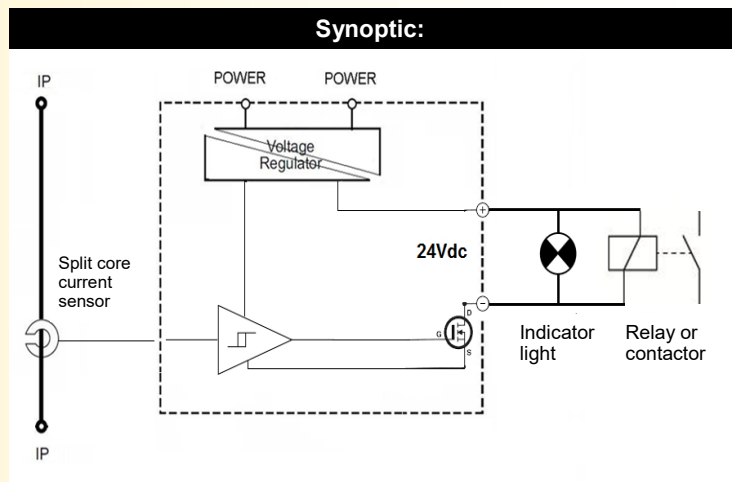
- Current input on remote split core current sensor. Type: Tio d8 mA
- Threshold detection : 100 mA ac +/- 20%
- 24Vdc output, 200mA max, short circuits protected (indicator light)
- Output activated if primary current detected
- Detection delay < 100 ms (primary current presence)
- Release delay < 1 second (absence of primary current)

Characteristics :

- long term repeatability : better than 0.1 % / year.
- Operating temperature : up to 65°C
- Resistant to shocks and vibrations.

Feature :

- Green LED indicator for main supply
- symmetrical DIN rail mounting according to EN50022
- Connection with screw terminals (wire: 2.5 mm²)
- Isolation : power supply / input / relay
- Protection rating : IP 20 + conformal coating



Associated current sensor: Tio d8 mA

http://www.loreme.fr/fichtech/Tio_eng.pdf



Version and order code: [Request a quote](#)

DIL36 : - current sensing relay supplied with **Tio d8 mA** (split core current sensor with 50cm cable length)

INPUT	
TYPE	RANGE
Current	0.1Aac200Aac
Internal protection against peak current with transient voltage suppressor diode	
Threshold current detection :	100 mA
Response time :	< 100 ms (standard)
Overcurrent max.	10kA 1 second

OUTPUT	
Static output with MOSFET transistor (open drain)	
Polarization voltage for external load: 24 Vdc +/- 15%	
Load current : 200 mA maxi	

POWER SUPPLY	
Universal, not polarized, direct or alternating current	
20.....265Vac/dc, consumption < 5 VA	

ENVIRONMENT	
Operating temperature :	-20 to 65 °C
Storage temperature :	-40 to +85 °C
Influence on current threshold:	< 0.02 % / °C
Humidity :	85 % non condensing
Protection rating: (according to EN 60 529)	IP 20
Weight:	100 g
Dielectric strength (power supply / input, output)	2500 Vac continuous
MTBF (MIL HDBK 217F)	> 1 500 000 Hrs @ 25°C
Life time	> 200 000 Hrs @ 30°C

Electromagnetic compatibility 2014/30/UE / Low Voltage Directive 2014/35/UE		
Immunity standard for industrial environments EN 61000-6-2		Emission standard for industrial environments EN 61000-6-4
EN 61000-4-2 ESD	EN 61000-4-8 AC MF	EN 55011 group 1 class A
EN 61000-4-3 RF	EN 61000-4-9 pulse MF	
EN 61000-4-4 EFT	EN 61000-4-11 AC dips	
EN 61000-4-5 CWG	EN 61000-4-12 ring wave	
EN 61000-4-6 RF	EN 61000-4-29 DC dips	



WIRING AND OUTLINE DIMENSIONS

